

Jacketed Vertical Cantilever

Hayward Gordon Molten Sulfur Pump



Impeller clearance
adjustment by
shims and jacking
screws

Shaft Seals

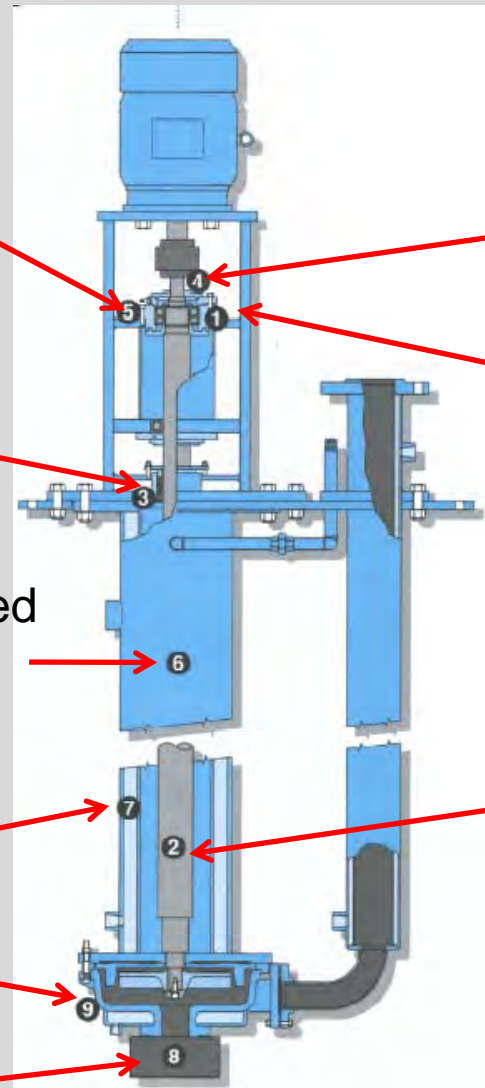
Non-metallic throttle bushings
as standard

Support Columns – Double walled
precision spigot mating

Jacketing of column discharge
pipe optional

ANSI (Clean) XR (dirty) pump
wet ends with open impeller

Optional strainers



Bearing Seals
Labyrinth

Bearings – Grease
lubricated
L10 30,000 HRS

Shaft -designed well
below the first critical
speed

Jacketed Vertical
Lineshaft

Hayward Gordon Molten Sulfur Pump

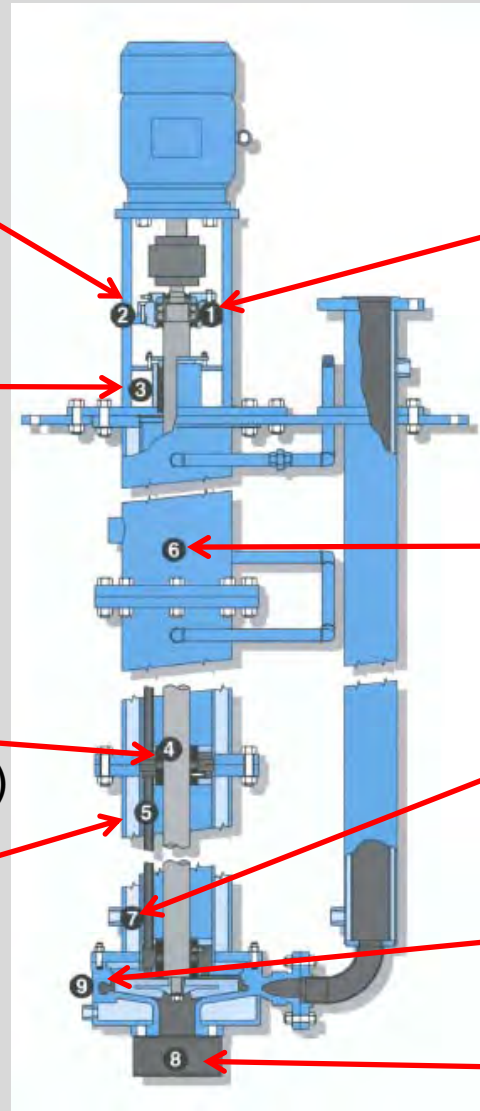


Impeller clearance
adjustment – shims
and built in jacking
screws

Shaft Seal – 6 rings
min Optional packing
or mechanical seal

Submerged Bearing
Ni-Resist (or Carbon Graphite)

Bearing lub – molten sulfur
(3/4" line)



Thrust bearings -
Regreasable – double or
triple row angular contact –
upper bearing housing
integral with motor support
pedestal

Support Columns – Double
walled precision spigot
mating

Jacketed column &
discharge pipe (casing
optional)

ANSI wet end with Keyed
on impeller with bolt

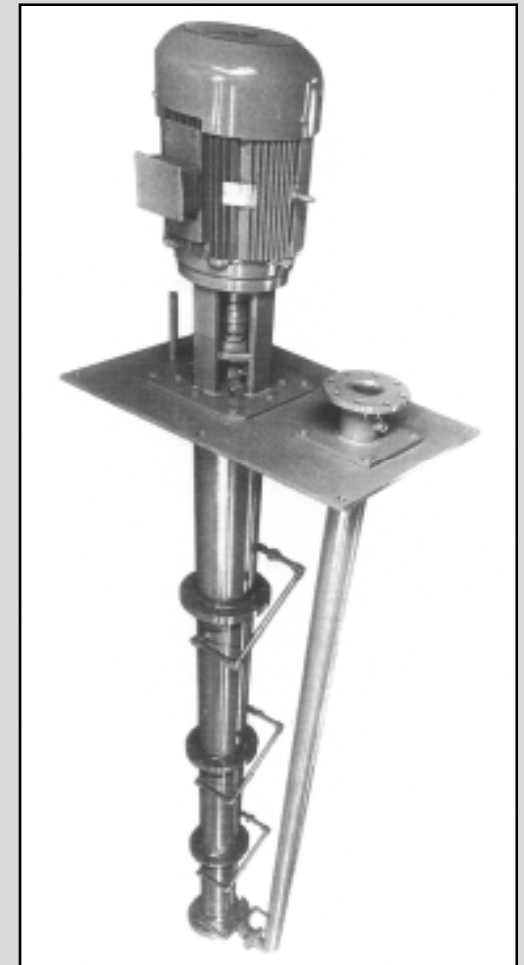
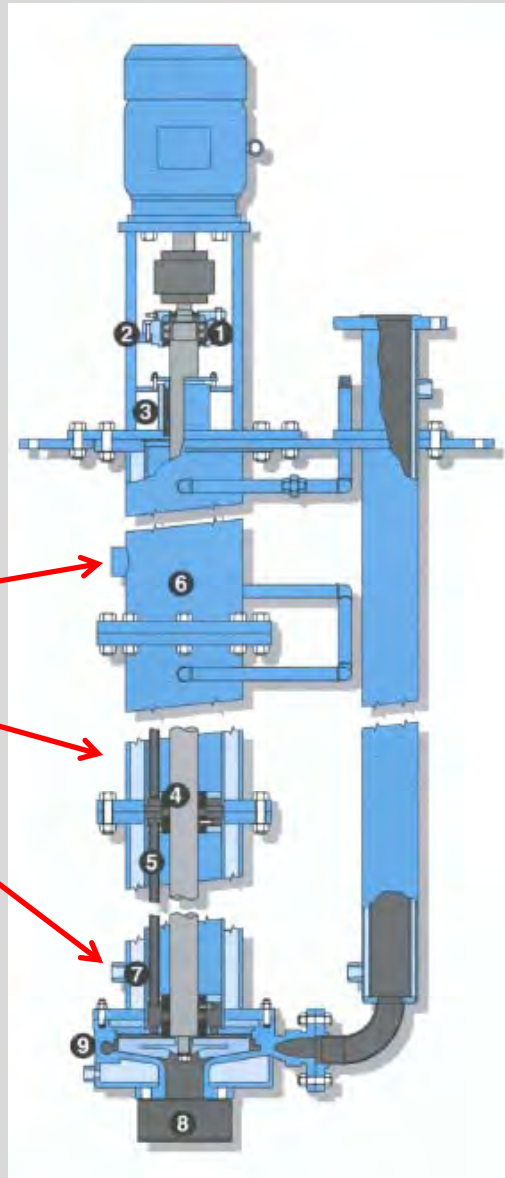
Optional strainer

Jacketed Vertical
Lineshaft

Hayward Gordon Molten Sulfur Pump

Bearing lub – molten sulfur

Draining of the
Molten Sulfur



Horizontal Jacketed

Hayward Gordon Molten Sulfur Pump



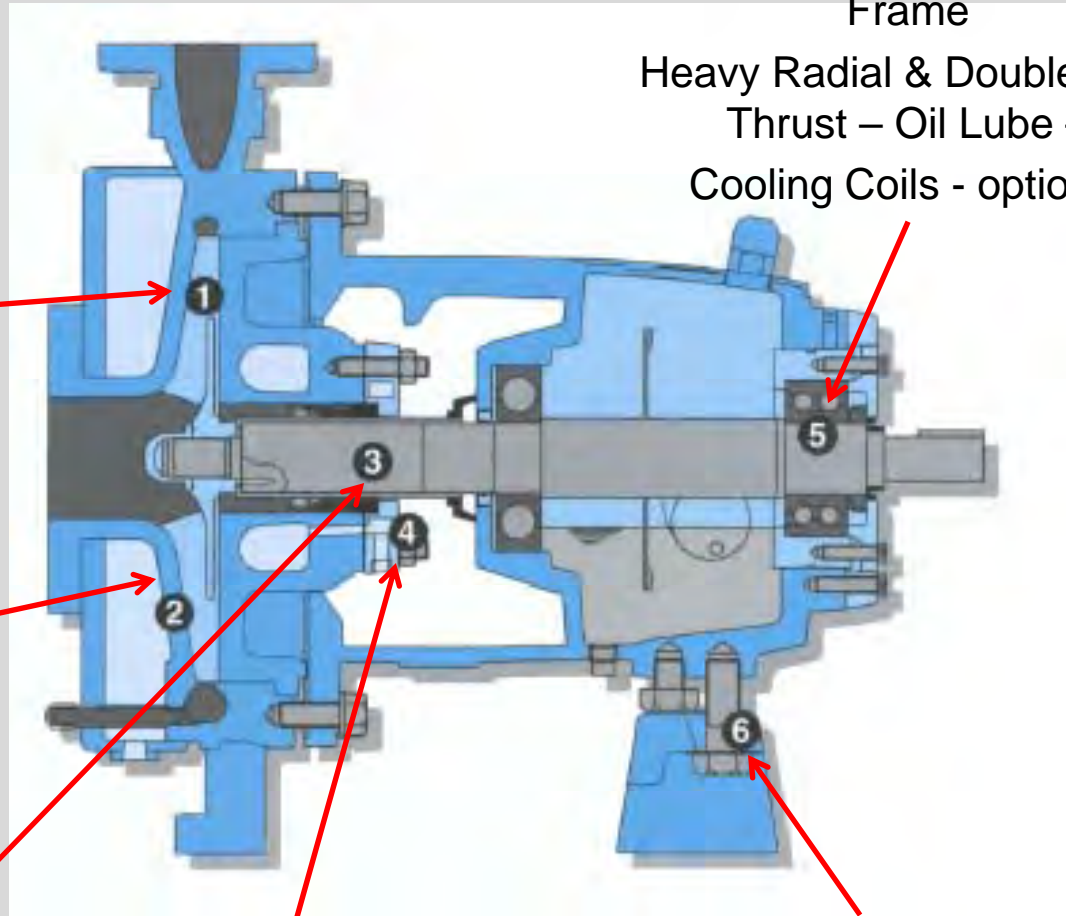
Bearing Housing & Bearing Frame

Heavy Radial & Double Row Thrust – Oil Lube – Cooling Coils - optional

Impellers – Fully Open-Fully Closed, Recessed Clearances adjusted through shimming jacketing screws in the back

Casing – with integral cast feet – 150# or 300# flat face or raised face flanges

Shafts & sleeves – large diameter for min deflection – hook type sleeve in various materials



Seals Glands Seal Housing – Special Seals – Jacketed Housing – Jacketed Gland

Back Pull – Out Design